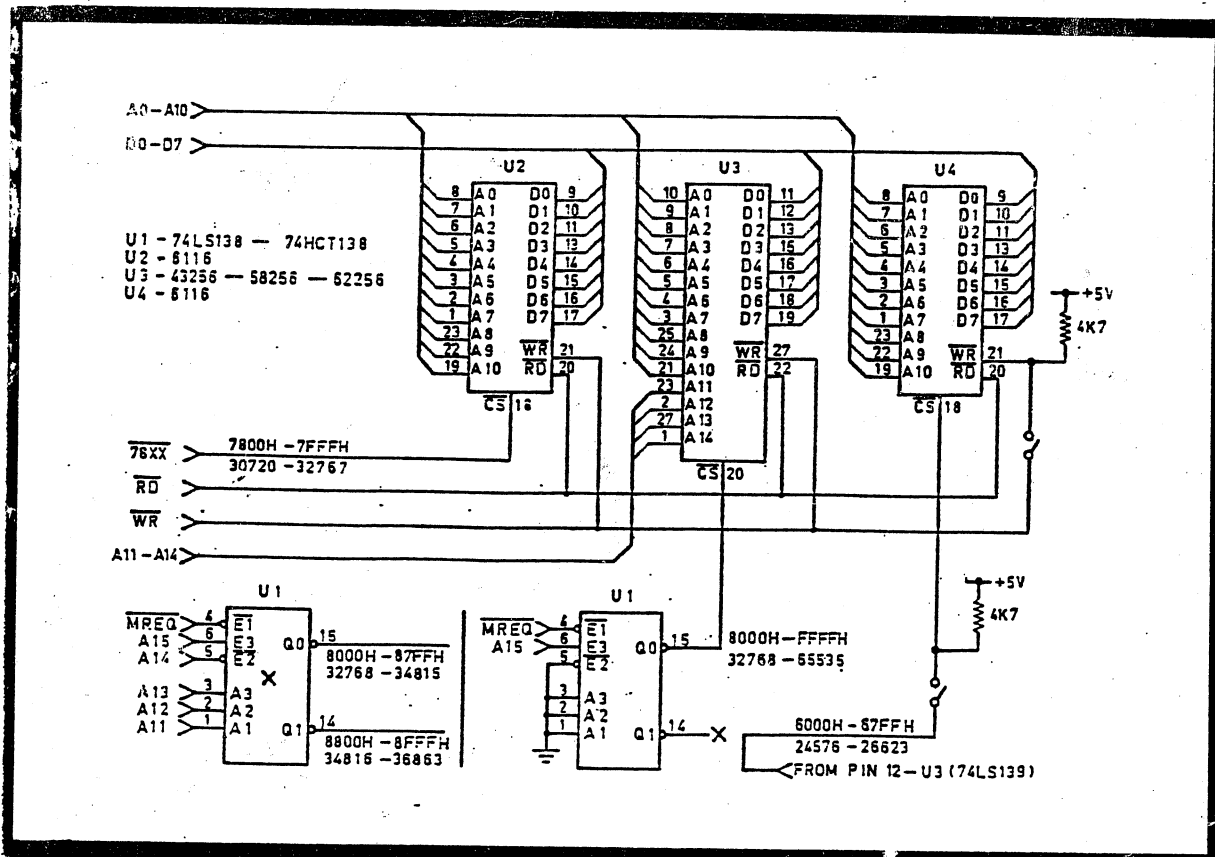


VZ 200/300

HUNTER VALLEY

VZ JOURNAL



THIS PUBLICATION WAS PREPARED ON A STAR NX 1000 PRINTER USING DAVE MITCHELL'S PATCH 3.3 WITH E & F WORD PROCESSOR. HI & LO-RES SCREEN DUMPS AND LISTINGS WERE DONE USING LARRY TAYLOR'S PRINTER PATCH V1.4 AVAILABLE FROM VSOFTWAREZ WHILE PATCH3.3 IS AVAILABLE FROM HUNTER VALLEY VZ USERS' GROUP.

FRONT COVER - IT SHOULD TELL YOU THAT I'VE BEEN USING A SOLDERING IRON AGAIN AFTER A FORCED SPELL OF MANY MONTHS AND IT'S A PLEASURE I'VE MISSED.

VZ CLUB NEWS, ETC PAGE 3
 VZ JOURNAL SUPPLEMENT, 44 WAY R.A. EDGE CONNECTORS, JESMOND N'HOOD CENTRE OPEN DAY, D/DRIVE POWER SUPPLY HINTS AND OCTOBER SPEECH SYNTHESISER DEMONSTRATION AT CLUB.

USING ROBERT QUINN'S PUT/GET*6 PAGE 4
 SOME READERS, MYSELF INCLUDED HAD PROBLEMS USING ROUTINE SO I HOPE MY EXPLANATION MAKES IT IT EASIER FOR YOU TO USE. Ed.

FOR SALE OR SWAP - DISK DRIVE & CONTROLLER PAGE 4

RELOCATING DOS COMMUNICATION REGION BY JOE LEON AND DAVE MITCHELL PAGE 5
 YOU MAY WISH TO RESERVE SOME MEMORY FOR DATA, HI-RES SCREENS, ETC AND WOULD LIKE TO RELOCATE DOS C/R BELOW IT AND DON'T KNOW HOW THEN THIS ROUTINE IS FOR YOU AS IT IS'NT HARD EVEN FROM BASIC.

64K RAM PACK 2K HI-RES SCREEN MEMORY MAP PAGES 6-7
 EVEN THOUGH THIS MEMORY MAP IS DESIGNED FOR 64K RAM PACK AND HI-RES SCREENS THE INFORMATION IS ALSO USEFUL FOR OTHER MEMORY CONFIGURATIONS.

GRAPHIC PUZZLE - CAN YOU SOLVE IT ??? PAGE 7
 YOU'LL SOLVE THIS PUZZLE STRAIGHT AWAY OR IT MAY DRIVE YOU MAD. IT DEPENDS ON HOW YOU LOOK AT THINGS. CLUE - IT COULD BE AN INSECT.

BOOLEAN LOGIC FUNCTIONS AND HI-RES GRAPHICS BY BOB KITCH PAGES 8-10
 THIS IS ONLY THE FIRST PART AND BY THE TIME THE SERIES ENDS SOME OF OUR READERS SHOULD HAVE A GOOD WORKING KNOWLEDGE OF BOOLEAN LOGIC AND SOME EXCELLENT DEMONSTRATION PROGRAMS FOR FANCY HI-RES SCREEN SLIDE SHOW.

ALL I CAN SAY ABOUT BOB'S ARTICLES IS THAT I WISH I COULD WRITE HALF AS WELL.

VZ 200 34K RAM MODS BY JOE LEON PAGES 11-13
 THIS PROJECT WILL ALLOW VZ 200 OWNERS TO EXPAND THEIR INTERNAL MEMORY TO 34K AND AS A BONUS HAVE 2K AT 60000H AS WELL.

SUITE II (PART I) BY ROBERT QUINN PAGES 14-16
 THIS EXPANDED SUITE II PROGRAM HAS ALL THE FUNCTIONS OF SUITE I AND IT WAS DECIDED TO PRESENT IT IN TOTAL AS SOME OF OUR READERS MAY NOT HAVE ISSUE # 20.

FOR SALE - PATCH 3.3 - EXTENDED DOS V1.3 - MENU/FILE COPIER PAGE 17
 ONE OR MORE OF THE ABOVE DISK UTILITIES MIGHT BE JUST WHAT YOU WANT. I HAVE ALL THREE AND I WOULD'NT BE WITHOUT ONE OF THEM.

VZ USER GROUPS & PUBLICATIONS - WANTED TO BUY - CLUB & COMMITTEE PAGE 18

H.V.VZ JOURNAL SUPPLEMENT - IPL SEQUENCE DECODED BY ROBERT QUINN PAGES . 19-23
 ROBERT HAS GONE TO A LOT OF TROUBLE DECODING VZ IPL (INITIAL PROGRAM LOADER) SEQUENCE AND IT'S US THE READERS WHO WILL BENEFIT FROM HIS LABOURS. WITH INFORMATION FROM ABOVE SOME PERSONS MAY BE ABLE TO ADD FUNCTIONS LIKE I HAVE, SEE PAGE 19. Ed.

NOTE - THIS SUPPLEMENT LIKE THE PREVIOUS ONE IS DESIGNED TO BE REMOVED FROM JOURNAL AND PLACED WITH PREVIOUS SUPPLEMENT AND IS NUMBERED ACCORDINGLY.

VZ JOURNAL SUPPLEMENT -----

FOR THIS AND THE NEXT COUPLE ISSUES AT LEAST THE SUPPLEMENT WILL CONTINUE. PART II OF IPL SEQUENCE DECODING IN NEXT ISSUE THEN IT'S AN EXPANDED COMMUNICATION REGION WITH DOS SYSTEM INCLUDED. THIS ISSUE CONTAINS A WHOPPING 23 PAGES, LOTS MORE THAN ANY OTHER VZ PUBLICATION.

44 WAY R. A. EDGE CONNECTORS ---

THERE'S MILLIONS OF COMMODORE 64'S AND TENS OF THOUSANDS OF VZ'S AROUND YET UP TO NOW 44 WAY R.A. (RIGHT ANGLE) EDGE CONNECTORS WERE VERY DIFFICULT TO OBTAIN. AT LONG LAST D. SMITH STOCKS 44 WAY R.A. EDGE CONNECTORS LIKE THE ONES IN YOUR MEMORY EXPANSION CARTRIDGE. I PAID \$2.95 AT NEWCASTLE TIGHES HILL STORE. PRICES AND AVAILABILITY COULD VARY FROM STORE TO STORE SO CHECK. 30 WAY R.A. E/C'S ?, SORRY YOU STILL HAVE TO ORDER THEM IN FROM D.SMITH'S

JESMOND N'HOOD CENTRE OPEN DAY -

JESMOND NEIGHBOURHOOD CENTRE WILL HAVE AN OPEN DAY ON 28-10-89 (SATURDAY) APPROXIMATELY 10AM TO 3.30PM. THE IDEA IS FOR USERS OF ABOVE HALL TO PUT ON A SHOW OR DEMONSTRATION.

BESIDES H.V.VZ.U.G., KARATE CLUB, AEROBICS GROUP THERE WILL BE OTHER GROUPS AS WELL DOING THEIR BEST TO ENTERTAIN VISITORS AND ATTRACT NEW MEMBERS. YOUR SUPPORT IS NEEDED. BRING YOUR FAMILY, FRIENDS, ETC. IF THEY'RE NOT INTERESTED THEY COULD DO SOME CHRISTMAS SHOPPING AT STOCKLAND MALL JESMOND.

NOTE - IF YOU CAN HELP MAN OUR STAND OR OTHERWISE THEN LET JOE LEON KNOW. THE OPEN DAY WILL BE FUND RAISER FOR THE CENTRE.

DISK DRIVE POWER SUPPLY HINTS --

NOT MANY PERSONS REALISE IT BUT TWO DRIVES CAN BE POWERED FROM THE ONE POWER SUPPLY. THE SECOND DRIVE GETS ITS POWER SUPPLY FROM BACK OF DISK CONTROLLER VIA THE RIBBON CABLE. I'VE BEEN USING THE ONE POWER SUPPLY WITH TWO DRIVES FOR OVER A YEAR NOW WITH NO PROBLEMS.

IT SEEMS VZ DISK DRIVE POWER SUPPLIES ARE EXTREMELY HARD TO GET. IF ENOUGH INTEREST IS SHOWN BY READERS I WOULD PREPARE A PROJECT FOR THE JOURNAL. THE POWER SUPPLY NEEDS +12 VDC AND +5 VDC AND ISN'T A DIFFICULT PROJECT FOR ANYONE TO CONSTRUCT. PLEASE LET ME KNOW YOUR INTEREST.

SPEECH SYNTHESISER - OCT. MEETING

MY THANKS TO NEVILLE HUGHES FOR LOANING HIS UNIT TO H.V.VZ.U.G. FOR OUR PLANNED DEMONSTRATION AND AS IT WORKS OUT IT WILL ALSO BE HANDY FOR OPEN DAY AT THE CENTRE. I WOUL'DNT BE SURPRISED IF OUR NEXT PRESIDENT WAS A VZ RUNNING THE SHOW VIA ITS SPEECH SYNTHESISER AND IT WOUL'DNT BE SUCH A BAD IDEA AS ONLY A VZ WOULD KNOW EVERYTHING ABOUT A VZ. I HATE KNOW ALLS !!!

USING ROBERT QUINN'S PUT/GET*6 . . . 26/4

IT SEEMS SOME OF OUR READERS, MYSELF INCLUDED HAD PROBLEMS INCORPORATING OR ADAPTING ROBERT'S PUT/GET*6 ROUTINE FOR USE WITH THEIR OWN PROGRAMS WHICH APPEARED IN ISSUE # 24, PAGES 11-12 SO I SPENT SOME TIME LEARNING HOW TO USE IT. THE RESULTING PROGRAM WILL APPEAR IN A FUTURE ISSUE.

YOU DON'T HAVE TO UNDERSTAND HOW THE M/C ROUTINE WORKS TO MAKE USE OF IT. ALL WE HAVE TO LEARN IS HOW TO USE PUT & GET AND EASIEST WAY IS TO EXPLAIN PARTS OF M/C ROUTINE WHICH FOLLOWS :-

```
POKE 31348, 33
POKE 31349, 0 - LO-BYTE - SOURCE ADDRESS (MOVE FROM)
POKE 31350,112 - HI-BYTE - 7000H - 28672
POKE 31351, 17 -
POKE 31352, 0 - LO-BYTE - DESTINATION ADDRESS (MOVE TO)
POKE 31353,192 - HI-BYTE - C000H - 49152
POKE 31354, 1
POKE 31355, 0 - LO-BYTE - NUMBER OF BYTES TO MOVE
POKE 31356, 8 - HI-BYTE - 800H - 2048
POKE 31357,237
POKE 31358,176
POKE 31359,201 - RETURN TO PROGRAM
```

```
POKE 30862,116 - LO-BYTE - START OF M/C PUT/GET*6 ROUTINE
POKE 30863,122 - HI-BYTE - 7A74H - 31348
```

THERE IS NOTHING MYSTERIOUS WITH ABOVE ROUTINE, IT'S JUST A SIMPLE MEMORY BLOCK MOVE ROUTINE AND KNOWING WHERE TO POKE SOURCE, DESTINATION AND # OF BYTES TO MOVE MAKES IT EASY TO USE. IF WE LOOK AT ABOVE WE'LL LEARN THAT IT'S SET TO MOVE 7000H (VIDEO RAM) TO C000H (49152) HI-MEMORY AND IT'S JUST AS EASY TO TO BRING IT BACK FROM C000H TO VIDEO RAM. IE :-

```
POKE31350,112:POKE31353,192 - MOVE VIDEO RAM TO C000H
POKE30862,116:POKE30863,122:POKEUSR(3),0
```

```
POKE31350,192:POKE31353,112 - MOVE C000H TO VIDEO RAM
POKE30862,116:POKE30863,122:POKEUSR(3),0
```

AS THE NUMBER OF BYTES BEING MOVED REMAINS CONSTANT THERE IS NO NEED TO POKE CHANGE IT. PLEASE ALSO NOTE THAT ONLY SOURCE AND DESTINATION HI-BYTES ARE BEING USED BECAUSE IN BOTH INSTANCES THE LO-BYTES ARE '0' AND REMAIN CONSTANT AS DO FOR STORES 1-8. SEE 64K RAM MEMORY MAP FOR EXAMPLE IN WHAT I MEAN.

THE PROGRAM MENTIONED EARLIER WILL INCORPORATE ROBERT QUINN'S PUTGET*8 MODIFIED FOR USE WITH 64K RAM PACK WHICH WILL ALLOW STORING OF 24 X 2K HI-RES AS PER 64K HI-RES SCREEN MEMORY MAP.

FOR SALE OR SWAP :-

ONE OFF VZ DISK DRIVE AND DISK CONTROLLER FOR SALE OR SWAP FOR A PRINTER TO GO WITH VZ 300 ALSO SOME PRINTING PAPER. FOR MORE INFORMATION CONTACT :-

RAY THOMPSON
SITE 220
MULLOWAY ROAD
CHAIN VALLEY BAY
NSW 2259

RELOCATING DOS C/R BY JOE LEON . . 26/5
AND DAVE MITCHELL

```
10 GOSUB 65000
20 CLS:COLOR,0:PRINT@35,"NEW TOP OF MEMORY =";
30 PRINT PEEK(30897)+256*PEEK(30898)
40 END
90 :
65000 POKE31148,201:IFPEEK(30897)+256*PEEK(30898)=48840'RETURN
65010 POKE 31148,195:POKE 31149,245:POKE 31150,54:COLOR,1
65020 CLS:PRINT@484,"OPEN DOOR & PRESS RETURN";
65030 IF INKEY$<>CHR$(13) THEN 65030
65040 CLS:POKE30897,255:POKE30898,191
65050 POKE30862,4:POKE30863,64:POKEUSR(3),0:RETURN
```

LOWERING TOM (TOP OF MEMORY) IS EASY ENOUGH TO ACHIEVE, BUT NOT MANY BASIC PROGRAMMERS KNOW HOW TO RELOCATE DOS C/R (COMMUNICATION REGION) BELOW IT WHICH IS ALSO FAIRLY EASY. BASICALLY TOM IS LOWERED FIRST AND THEN DOS IS INITIALISED BY A CALL TO 4004H (16388) BY A USR FUNCTION.

AFTER DOS IS REINITIALISED THE PROGRAM BREAKS TO BASIC WITH DOS AND READY MESSAGES BEING PRINTED OUT AS ON POWER UP. IT WOULD BE LOT NICER IF PROGRAM COULD CONTINUE AND THE ROUTINE ABOVE DOES JUST THAT. THE ROUTINE IS COMPLETELY RELOCATEABLE AND CONSISTS OF LINES 65000-65050 AND MUST BE CALLED FIRST BEFORE ANY OTHER OR ANY VARIABLES HAVE BEEN DECLARED AND IS VARIABLE FREE AND CAN BE USED AS PART OF ANY BASIC PROGRAM.

PROGRAM DISASSEMBLY :-

LINE 65000 - POKE 31148,201 DISABLES AUTORUN FUNCTION. WHEN PROGRAM IS RUN FOR FIRST TIME TOM CHECK IN LINE 65000 WILL NOT EQUAL 48840 SO IT WILL PROCEED TO NEXT LINE.

LINE 65010 - THIS LINE PLAYS A CRUCIAL PART BY SETTING UP AN AUTO RUN FUNCTION AND WAS SUPPLIED BY DAVE MITCHELL.

LINE 65020 - THIS LINE SIMPLY GIVES THE USER OPPORTUNITY TO OPEN DRIVE DOOR THUS AVOIDING POSSIBLE CORRUPTION OF DISK.

LINE 65030 - AWAITS USER TO PRESS RETURN. IF BREAK IS USED THEN PROGRAM WILL RERUN AND IS CAUSED BY LINE 65010.

LINE 65040 - TOM IS LOWERED TO 49151 BY THIS LINE.

LINE 65050 - THIS LINE INITIALISES THE DOS AND RELOCATES IT BELOW 49151 WHICH WAS THE TOM SET BY PREVIOUS LINE.

NOTE - ONCE DOS IS RESET PROGRAM AUTORUNS AND GOSUBS TO LINE 65000 FOR THE SECOND TIME. BECAUSE TOM CHECK NOW EQUALS 48840 PROGRAM NOW RETURNS TO LINE 20 AND CONTINUES WITH PROGRAM. IT DOES'NT MATTER HOW MANY TIMES YOU BREAK AND RUN AGAIN, PROGRAM WILL CONTINUE AS NORMAL UNLESS YOU ALTER TOM OR RESET THE VZ.

LINE 20 & 30 - PRINTS NEW TOM WHICH NOW IS 48840.

TO WORK OUT THE TOM CHECK NUMBER IN LINE 65000 IS SIMPLE. FOR EXAMPLE, YOU WANT TO SET NEW TOM TO 47103. JUST SUBTRACT 311 BYTES AND YOU'LL GET YOUR TOM CHECK NUMBER WHICH WILL BE 46792.

BANK 1 - STORE 8 F800H - FFFFH 63488 - 65535	BANK 2 - STORE 8 F800H - FFFFH 63488 - 65535	BANK 3 - STORE 8 F800H - FFFFH 63488 - 65535
BANK 1 - STORE 7 F000H - F7FFH 61440 - 63487	BANK 2 - STORE 7 F000H - F7FFH 61440 - 63487	BANK 3 - STORE 7 F000H - F7FFH 61440 - 63487
BANK 1 - STORE 6 E800H - EFFFH 59392 - 61439	BANK 2 - STORE 6 E800H - EFFFH 59392 - 61439	BANK 3 - STORE 6 E800H - EFFFH 59392 - 61439
BANK 1 - STORE 5 E000H - E7FFH 57344 - 59391	BANK 2 - STORE 5 E000H - E7FFH 57344 - 59391	BANK 3 - STORE 5 E000H - E7FFH 57344 - 59391
BANK 1 - STORE 4 D800H - DFFFH 55296 - 57343	BANK 2 - STORE 4 D800H - DFFFH 55296 - 57343	BANK 3 - STORE 4 D800H - DFFFH 55296 - 57343
BANK 1 - STORE 3 D000H - D7FFH 53248 - 55295	BANK 2 - STORE 3 D000H - D7FFH 53248 - 55295	BANK 3 - STORE 3 D000H - D7FFH 53248 - 55295
BANK 1 - STORE 2 C800H - CFFFH 51200 - 53247	BANK 2 - STORE 2 C800H - CFFFH 51200 - 53247	BANK 3 - STORE 2 C800H - CFFFH 51200 - 53247
BANK 1 - STORE 1 C000H - C7FFH 49152 - 51199	BANK 2 - STORE 1 C000H - C7FFH 49152 - 51199	BANK 3 - STORE 1 C000H - C7FFH 49152 - 51199
BANK 0 - BUFFER B800H - BFFFH 47104 - 49151		
DOS COM. REGION B6C9H - B7FFH 46793 - 47103		
TOP OF MEMORY B6C8H - 46792		
USER MEMORY		
USER MEMORY		
BANK 0 RAM 8000H - BFFFH 32768 - 49151		
RAM COM. REGION 7800H - 7AE8H 30720 - 31464		
2K VIDEO RAM 7000H - 77FFH 28672 - 30719		
	HEX -- DEC --- LO - HI BYTE ----- STORE 8 - F800 - 63488 - 000 - 248 STORE 7 - F000 - 61440 - 000 - 240 STORE 6 - E800 - 59392 - 000 - 232 STORE 5 - E000 - 57344 - 000 - 224 STORE 4 - D800 - 55296 - 000 - 216 STORE 3 - D000 - 53248 - 000 - 208 STORE 2 - C800 - 51200 - 000 - 200 STORE 1 - C000 - 49152 - 000 - 192 BUFFER - B800 - 47104 - 000 - 184 VIDEO RAM 7000 - 28672 - 000 - 112 # BYTES - 0800 - 2048 - 000 - 008 ----- BANK 0 RAM - 8000H - BFFFH 32768 - 49151 BANK 1 RAM - C000H - FFFFH 49152 - 65535 BANK 2 RAM - C000H - FFFFH 49152 - 65535 BANK 3 RAM - C000H - FFFFH 49152 - 65535	

TALKING ABOUT BANK SWITCHING, VIDEO STORES 1, 2, 3, ETC. CAN BE CONFUSING SO I'VE PREPARED A 64K RAM PACK MEMORY MAP SO IT WOULD BE EASIER FOR READERS TO UNDERSTAND.

ONE OF THE MORE OBVIOUS USES OF 64K OR 128K S/WAYS RAM IS TO STORE 2K HI-RES OR 6K SUPER HI-RES SCREENS. USING 64K R/PACK AS EXAMPLE, 24 X 2K OR 8 X 6K HI-RES SCREENS CAN BE STORED IN MEMORY FOR USE IN SLIDE SHOW FOR ADVERTISING, ETC.

ONLY BANKS 1 TO 3 CAN BE SWITCHED WITH BANK '0' BEING FIXED. IT OCCUPIES MEMORY LOCATIONS 8000H-BFFFH (32768-49151). BANKS 1 TO 3 ALL SHARE THE SAME MEMORY LOCATION - C000H-FFFFH (49152-65535), BUT ONLY ONE AT A TIME. BOTH SOFTWARE AND HARDWARE IS USED IN SWITCHING BANKS.

I/O PORT 112-127 IS RESERVED FOR BANK SWITCHING AND ANY NUMBER IN ABOVE RANGE CAN BE USED TO SWITCH BANKS, IE :-

OUT 112,2 OR OUT 113,2 OR . . . OUT 126,2 OR OUT 127,2

BOTH TAPE AND D/DRIVE USERS CANNOT SWITCH BANKS WILLY-NILLY AS THEY SHOULD BE AWARE OF THE FOLLOWING. ON POWER UP OR RESET BANK '1' IS THE DEFAULT BANK AND TOM TOGETHER WITH ALL MEMORY LOCATIONS FOR HOUSEKEEPING IS SET AND IN CASE OF D/DRIVE USERS DOS C/R (COMMUNICATION REGION) IS SET AT TOP OF BANK '1'.

IF WE USED THE OUT COMMAND TO SWITCH BANKS THEN A SYSTEM CRASH WOULD OCCUR BECAUSE WE WOULD BE DESTROYING THE LINKS BETWEEN DOS AND RAM C/R. THIS SITUATION CAN BE AVOIDED BY LOWERING TOM BELOW BANK '1' AND IN CASE OF DOS RELOCATING ITS C/R BELOW IT. SEE ARTICLE ON PAGE 5 ON HOW TO ACCOMPLISH IT.

THE MEMORY MAP, R. QUINN'S P/GET AND RELOCATING DOS C/R SHOULD GIVE READERS AN INSIGHT ON HOW TO USE THE IDEAS IN THEIR OWN PROGRAMS. HAVE FUN !!!

GRAPHIC PUZZLE - CAN YOU SOLVE IT ? ? ?



LOGIC OPERATIONS, IN EITHER ASSEMBLER OR BASIC, ARE POORLY UNDERSTOOD BY PROGRAMMERS. THEY ARE HOWEVER MORE FUNDAMENTAL THAN ARITHMETIC OPERATORS (+ - * / ^) AND RELATIONAL OPERATORS (< > = <>).

THE ONLY DIFFERENCE BETWEEN LOGIC OPERATORS IN BASIC AND ASSEMBLER IS THE LENGTH OF THE BIT STREAMS (BYTES OR WORDS) UPON WHICH EACH OPERATES. IN ASSEMBLER, ALL LOGIC FUNCTIONS INVOLVE 8-BIT OPERANDS (SINGLE BYTE), ONE OF WHICH MUST BE STORED IN THE A-REGISTER. THE RESULT IS ALWAYS STORED BACK IN THE A-REGISTER. ALL BASIC LOGIC FUNCTIONS OPERATE ON 16-BIT INTEGER VALUES.

THE Z80 INSTRUCTION SET SUPPORTS FOUR LOGIC OPERATORS - AND, OR, XOR AND CPL. IN BASIC THREE LOGIC OPERATORS ARE AVAILABLE - AND, OR AND NOT. (COMPLEMENT AND NOT ARE THE SAME OPERATION).

LOGIC OPERATORS ONLY MAKE "SENSE" WHEN THE OPERANDS ARE CONVERTED TO BINARY NOTATION. THIS IS THE SINGLE LARGEST PROBLEM THAT PROGRAMMERS HAVE IN GETTING TO GRIPS WITH LOGIC OPERATORS. FURTHERMORE, LOGIC OPERATORS WORK ON A SINGLE BIT AT A TIME. UNLIKE ARITHMETIC FUNCTIONS, IN WHICH CARRYING OR BORROWING EFFECT ADJACENT BITS, LOGIC FUNCTIONS ARE "BLIND" TO BITS IN COLUMNS NEXT TO THE BIT BEING TESTED AND CHANGED. WITH THE EXCEPTION OF NOT (AND CPL) EACH LOGIC FUNCTION REQUIRES TWO OPERAND BITS TO PRODUCE A SINGLE BIT RESULT. THE ORDER OF OPERANDS DOES NOT EFFECT THE RESULT EITHER. (COMPARE THIS TO ARITHMETIC OR RELATIONAL OPERATORS).

A TRUTH TABLE FOR THE FOUR LOGIC FUNCTIONS IS AS FOLLOWS -

X	Y	X AND Y	X OR Y	X XOR Y	NOT X
0	0	0	0	0	1
0	1	0	1	1	1
1	0	0	1	1	0
1	1	1	1	0	0

TO CONVERT DECIMAL TO BINARY NOTATION SEE MY ARTICLE IN AEM DEC. 1986 PG. 92. MY PROGRAM IN HVVZUG NEWSLETTER 1(12) MAY/JUN 1987 PG. 7-9 IS A USEFUL TRAINER AND INTRODUCTION TO LOGIC OPERATORS. I COMMEND BOTH ARTICLES TO YOU FOR YOUR INTEREST.

TO STRESS THE IMPORTANCE OF CONVERTING NUMBERS TO BINARY WHEN TRYING TO COMPREHEND LOGIC OPERATORS, CONSIDER THE FOLLOWING -

9 AND 12 = ?? (DOESN'T MEAN MUCH??)

BUT...

```

00001001B      9
00001100B AND 12
-----
00001000B      8 IS A LITTLE CLEARER!
    
```

LOGIC IN ASSEMBLY LANGUAGE

THIS MAY BE THOUGHT OF AS "WORKING WITH BITS". THE Z80 ALLOWS US TO TURN BITS ON (SET OR 1) AND OFF (RESET OR 0), OR TEST (BIT) FOR THE TWO CONDITIONS. BITS CAN BE SHIFTED OR "SLID", OR ROTATED AROUND IN A LOOP. LASTLY THE PROGRAMMER CAN ADD OR REMOVE BITS DEPENDING ON THE RELATIONSHIP WITH OTHER BITS IN THE BYTE. PRETTY POWERFUL SET OF BIT MANIPULATING INSTRUCTIONS.

AND IS MOST OFTEN USED AS A BIT MASK, DELETING (RESETTING) UNWANTED BITS AND PRESERVING THOSE IN A SPECIFIED PART OF A BYTE. THE GOLDEN RULE FOR THIS OPERATION IS -

"WHEREVER A ZERO OCCURS IN THE MASK, THE CORRESPONDING BIT WILL ALSO BE ZERO. WHEREVER A ONE OCCURS IN THE MASK, THE CORRESPONDING BIT WILL REMAIN UNCHANGED."

SUPPOSE THAT WE ARE CONCERNED WITH THE LAST FOUR BITS (BITS 0 TO 3) OF A BYTE (I.E. MASK OFF THE MOST SIGNIFICANT FOUR BITS). IT IS ONLY NECESSARY TO AND THE BYTE WITH 0FH (00001111B) TO ERASE ANY BITS IN THE FIRST FOUR POSITIONS (BITS 4 TO 7). IN ASSEMBLY LANGUAGE THIS OPERATION LOOKS LIKE THIS -

```
LD A,BYTE
AND 0FH
```

THE ONLY OTHER ALTERNATIVE, IS TO PERFORM FOUR SEPARATE RES OPERATIONS, TO ELIMINATE THE FIRST FOUR BITS - NOT VERY EFFICIENT.

OR, ON THE OTHER HAND, IS MOST OFTEN USED TO TO SET A GROUP OF BITS AT ONCE. THE GOLDEN RULE FOR THIS OPERATION IS -

"WHEREVER A ONE APPEARS IN THE OPERANDS, A ONE WILL APPEAR IN THE RESULT."

IF IT IS REQUIRED TO ENSURE THAT BITS 0 TO 3 ARE SET THEN YOU COULD OR 0FH INSTEAD OF PERFORMING FOUR SET OPERATIONS -

```
LD A,BYTE
OR 0FH
```

ANOTHER COMMON USE OF THE OR OPERATOR IS TO CHECK IF A 16-BIT REGISTER PAIR IS ZERO -

```
LD A,B
OR C
```

THE A-REGISTER WILL ONLY HOLD ZERO (AND THE ZERO FLAG SET) IF REGISTERS B AND C ARE BOTH ZERO. (CHECK IT TO CONVINCE YOURSELF!).

THE AND AND OR OPERATORS CAN BE USED TOGETHER TO FORCE A VALUE INTO AN APPROPRIATE RANGE. FOR EXAMPLE, GRAPHIC ROUTINES OFTEN NEED TO ENSURE THAT THE CURRENT VALUE IN THE HL-REGISTER IS A LEGITIMATE SCREEN ADDRESS. SINCE THE SCREEN IS MEMORY MAPPED FROM 7000H TO 77FFH, IF THE VALUE IN THE H-REGISTER IS BETWEEN 70H AND 77H, THEN THE HL-REGISTER MUST BE POINTING TO THE SCREEN. TO FORCE THE H-REGISTER INTO THAT RANGE, WHILE MAINTAINING ITS CURRENT VALUE IF IT IS ALREADY IN THE CURRENT RANGE, THE FOLLOWING COULD BE USED -

```
LD A,H      ;PUT MSB INTO A-REG.
AND 77H    ;ELIMINATE BITS 3 AND 7.
OR 70H     ;SET BITS 4, 5 AND 6.
LD H,A     ;H-REG IS IN CORRECT RANGE FOR VRAM.
```

XOR IS MOST OFTEN USED IN ASSEMBLY LANGUAGE TO CLEAR THE A-REGISTER, SINCE ANY VALUE XORED WITH ITSELF IS ZERO. (CHECK IT!) WHENEVER XOR A IS SEEN IN A LISTING, THE PROGRAM IS CLEARING THE A-REGISTER TO ZERO, THE ZERO FLAG IS SET AND THE CARRY FLAG IS RESET. THAT'S A LOT OF WORK FOR A SINGLE FAST INSTRUCTION TO PERFORM. SUB A OR LD A,0 ALL CLEAR THE A-REGISTER. LD A,0 TAKES MORE TIME AND MEMORY BUT DOES NOT AFFECT THE STATUS FLAGS.

THE XOR OPERATION IS QUITE A FUSSY INSTRUCTION HOWEVER, AND HAS OTHER USES. IT CAN MERGE BYTES TOGETHER BUT WILL EXCLUDE PAIRS OF BITS. IT CAN BE USED TO ELIMINATE SIMILARITIES. IT IS OFTEN USED AS A "TOGGLE SWITCH" SUCH AS WHEN A ROUTINE IS ONLY TO BE EXECUTED EVERY SECOND TIME IT WAS CALLED. (USEFUL FOR FLASHING DISPLAYS).

A COMMON USE FOR THE TOGGING ACTION IS TO SWITCH THE OUTPUT LATCH ON THE VZ TO ACTUATE THE SPEAKER. THE WRITE-ONLY LATCH IS MAPPED INTO 6800H - 6FFFH. BITS 5 AND 0 ARE THE DRIVERS FOR THE SPEAKER AND MUST BE OF COMPLIMENTARY VALUE TO PUSH-PULL THE SPEAKER. OTHER BITS IN THE LATCH CONTROL OTHER FUNCTIONS AND SHOULD NOT BE CHANGED WHEN THE SPEAKER IS DRIVEN. THE MASK THAT ACHIEVES THIS ACTION IS 00100001B OR 21H. IF THE LATCH CONTAINS A VALUE OF 00110100B (34H) THEN TOGGING (XORING) IT WITH 21H (THE MASK VALUE) WILL RESULT IN THE LATCH CHANGING BETWEEN 34H (00110100B) AND 15H (00010101B). THIS RESULTS IN BITS 0 AND 5 BEING SWITCHED ON AND OFF AS REQUIRED AND THE OTHER BITS REMAIN UNCHANGED.

NOT OR CPL ONLY REQUIRE ONE OPERAND. IN THESE PROCESSES, EVERY BIT IS ALTERED AND EACH BIT IS "INVERTED" I.E. ZEROS BECOME ONES AND ONES BECOME ZEROS. THE MOST OFTEN APPLICATION OF THIS PROCESS IS IN "TWO COMPLEMENTS" ARITHMETIC. TO FORM A NEGATIVE INTEGER VALUE FROM A POSITIVE INTEGER, IT IS FIRST COMPLEMENTED AND THEN INCREMENTED BY ONE -

```
LD A, BYTE
CPL
INC A
```

PIXEL REPLACEMENT IN HI-RES SCREENS.

SOME TIME AGO, I HAD TO WRITE AN ASSEMBLER SUBROUTINE THAT ALLOWED A HI-RES SCREEN TO "SWEEP" OVER ANOTHER HI-RES SCREEN. THIS INVOLVED A "COLUMN-BY-COLUMN" REPLACEMENT OF THE "UNDERLYING" SCREEN ON A PIXEL-BY-PIXEL BASIS. AS HI-RES SCREENS ARE NOT BYTE-MAPPED (EACH PIXEL USES TWO BITS FOR REPRESENTATION) THIS TURNED OUT TO BE A NON-TRIVIAL EXERCISE. SOME ELEGANT USE OF LOGIC OPERATORS WAS CALLED INTO PLAY - NOT TO MENTION, SOME TIDY ALLOCATION OF THE Z80 REGISTER SET!

TO ILLUSTRATE THE NEAT MATHS OF THIS EXERCISE, CONSIDER THE FOLLOWING EXAMPLE. LET'S SUPPOSE THAT THE "INCOMING" SCREEN IS TO SWEEP FROM LEFT TO RIGHT OVER THE "REPLACED" SCREEN. FURTHERMORE, LET'S SAY THAT THE DISPLAYED BYTE ON THE SCREEN IS B1H (10 11 00 01B) AND THAT THE BYTE TO REPLACE THIS IS D8H (11 01 10 00B). (YOU CAN WORK OUT THE COLOURS OF THE FOUR PIXELS IN EACH INSTANCE.) THE SEQUENCE OF BYTES THAT NEED TO BE WRITTEN TO THE PARTICULAR SCREEN ADDRESS ARE AS FOLLOWS -

```
[10 11 00 01B B1H ORIGINAL BYTE
11[11 00 01B F1H LEFT HAND PIXEL REPLACED
11 01[00 01B D1H NEXT PIXEL REPLACED
11 01 10[01B D9H NEXT
11 01 10 00B[ D8H INCOMING PIXEL COMPLETE
```

(BITS TO THE RIGHT OF [ARE UNCHANGED OR NOT REPLACED.)

THE SEQUENCE IN HEX IS -
B1H - F1H - D1H - D9H - D8H.

HOW ON EARTH DO WE GET THIS SEQUENCE IN QUICK AND EFFICIENT ASSEMBLER CODE? (NOTICE HOW THE USE OF BINARY NOTATION IS EXTREMELY ILLUMINATING WHEN WORKING AT THIS LEVEL.)

USING SOME DEDUCTIVE MATHS THEORY, IT TURNS OUT THAT THE FOLLOWING LOGIC SEQUENCE PROVIDES THE DESIRED RESULT!

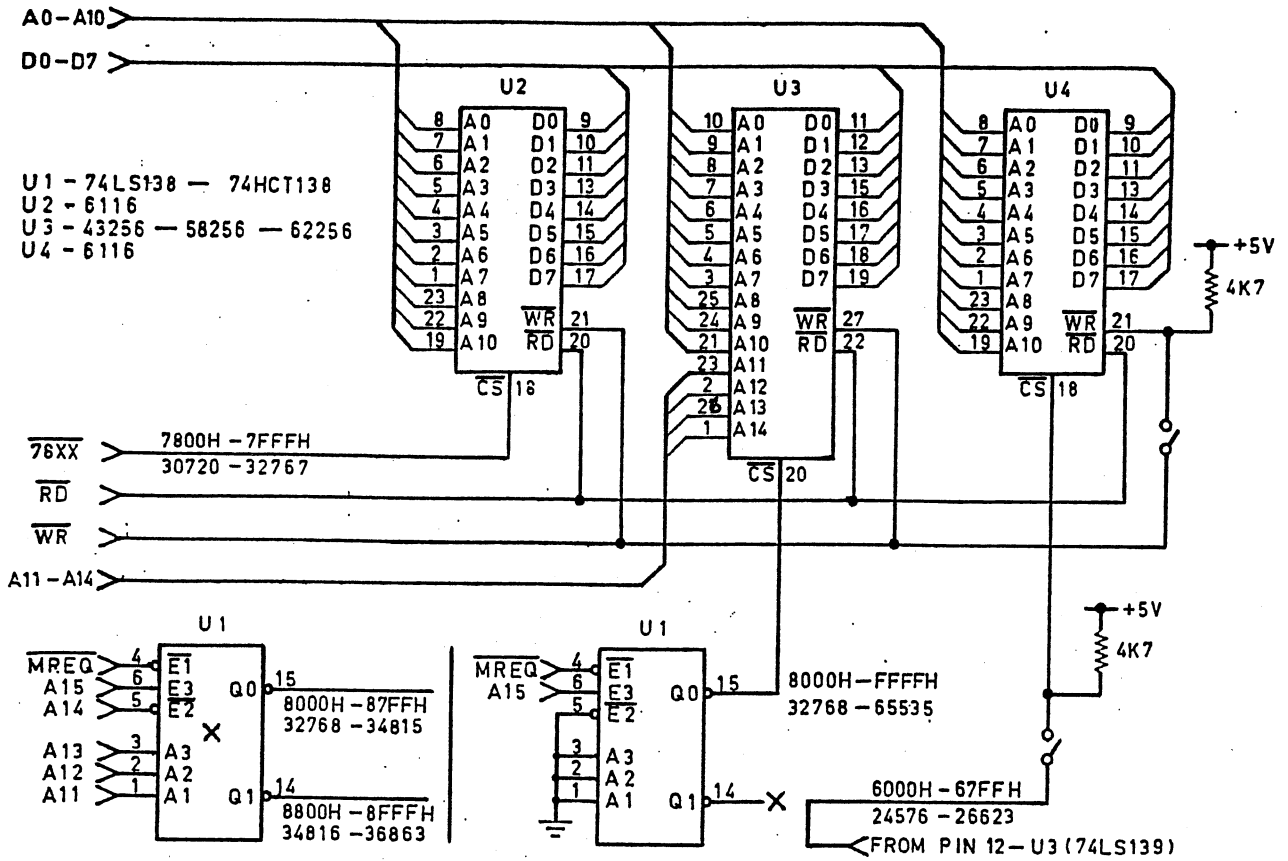
```
(B1H AND 3FH) OR (D8H AND NOT 3FH) = F1H
(F1H AND 0FH) OR (D8H AND NOT 0FH) = D1H
(D1H AND 03H) OR (D8H AND NOT 03H) = D9H
(D9H AND 00H) OR (D8H AND NOT 00H) = D8H
```

(SOME GOOD FORTRAN IV CODE THERE!)

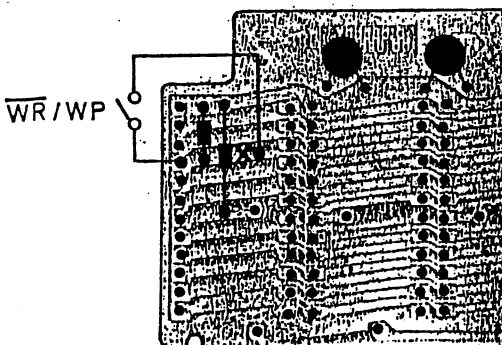
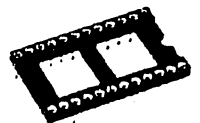
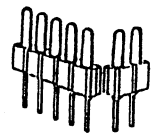
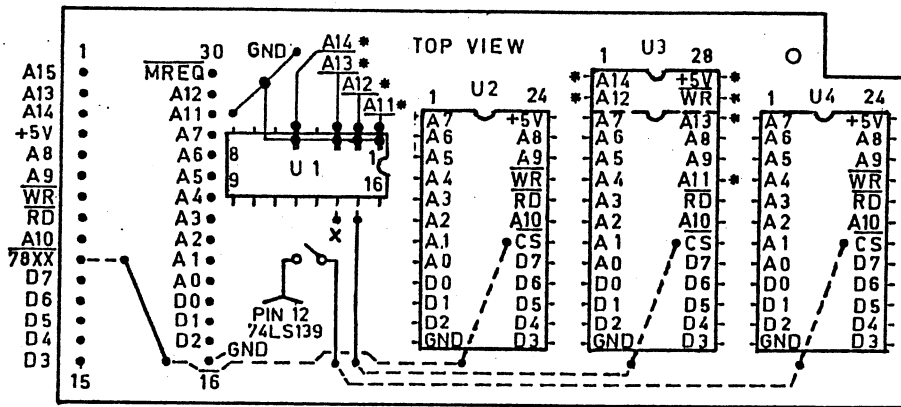
THE LEFT-HAND BRACKET MASKS OUT THE LEFT-HAND PIXELS OF THE REPLACED BYTE, THE RIGHT-HAND BRACKET MASKS OUT THE RIGHT-HAND PIXELS OF THE INCOMING BYTE, AND THE TWO ARE LOGICALLY ADDED TOGETHER TO GIVE THE RESULT.

AS I SAID, THE MATHS IS BEAUTIFUL! THE INTERESTING THING IS THAT THE "INCOMING" BYTE (D8H) IS A CONSTANT AS IT IS HELD IN A MEMORY BUFFER SOMEWHERE, WHILST THE "REPLACED" BYTE VARIES AS IT IS WRITTEN TO THE SCREEN - WHICH IS AFTER ALL, ONLY AN AREA OF MEMORY. THE SEQUENCE OF MASKS IS NOW THE INTERESTING SERIES TO STUDY. THE MASK SERIES IS -
3FH - 0FH - 03H - 00H.

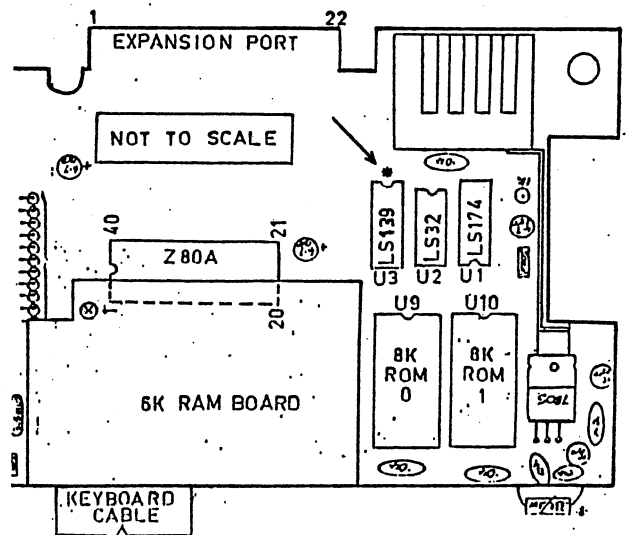
CONTINUED IN NEXT ISSUE . . .



VZ 200 6K RAM BOARD



BOTTOM VIEW 6K RAM BOARD



THIS PROJECT IS DESIGNED TO PROVIDE VZ 200 OWNERS 34K OF RAM BY REPLACING ONE OF THE INBUILT 2K RAM CHIPS WITH A 32K RAM CHIP WHICH WILL TAKE MEMORY UP TO FFFFH (65535) AND AS A BONUS 2K RAM AT 6000H (2K GAP ABOVE DOS ROM). I PRESUME PERSONS ATTEMPTING MOD HAVE NECESSARY SKILLS AS THE RISKS ARE YOURS.

VZ 200'S ARE LOT EASIER TO WORK ON AND USE DISCRETE COMPONENTS AND CAN TAKE FAIR BIT OF ABUSE WHILE VZ 300'S USE A FEW DEDICATED CHIPS AND AS A RESULT MODS ARE HARDER AND I FOUND THEM VERY TOUCHY AND I'VE A FEW DEAD VZ 300'S TO ATTEST TO THAT. THE CIRCUIT AND DIAGRAMS TELL ABOUT ALL AND A BIT OF EXPLANATION WOULD'NT GO ASTRAY SO HERE GOES.

CIRCUIT DIAGRAM - THREE MODS WERE DONE TO ORIGINAL 6K CIRCUIT WHICH ARE U1 (74LS138), U3 (32K) & U4 (2K) RAMS. BY COMPARING U2-U4 YOU'LL NOTE U3 HAS FOUR EXTRA ADDRESS INPUTS AND IS A 28 PIN DEVICE.

U1 (74LS138) - THIS ADDRESS DECODER ORIGINALLY DECODED IN 2K BLOCKS AND BY GROUNDING PINS 1, 2, 3 & 5 IT BECOMES A 32K BLOCK DECODER. THE VACANT HOLES LEFT BY ABOVE GROUNDED PINS PROVIDE A11-A14 WHICH ARE CONNECTED TO 32K RAM CHIP, REAL HANDY. AS BEFORE PIN 15 SUPPLIES CS BAR SIGNAL TO U3.

U4 (6116) - THE 32K RAM MAKES U4 REDUNDANT BUT NOT USELESS AS IT CAN BE PRESSED INTO SERVICE FILLING THE 2K GAP AT 6000H. BY GOOD FORTUNE AN UNUSED DECODED OUTPUT FOR 6000H-67FFH RANGE IS AVAILABLE FROM U3 (74LS139), PIN 12 ON MAIN PCB, REAL HANDY THAT.

AT RIGHT SIDE OF PCB LAYOUT ARE SHOWN FROM TOP :-

- 1) DOUBLE SIDED MACHINED INSERT ADAPTOR STRIP
- 2) SINGLE IN LINE MACHINED INSERT SOCKET STRIP
- 3) 24 PIN DUAL IN LINE MACHINED INSERT SOCKET

BOTH 1 & 2 CAN BE SNAPPED INTO DESIRED LENGTHS AND I USE SINGLE/DOUBLE IN LINE M/I SOCKETS/STRIPS TOGETHER WITH ADAPTOR STRIPS TO MAKE PLUG/SOCKET ARRANGEMENTS. THIS APPROACH ALLOWS ME TO MAKE MOST OF MY PROJECTS REMOVEABLE FOR MODS OR FAULT FINDING.

CONSTRUCTION DETAILS - FIRST THE MAIN PCB WILL HAVE TO BE REMOVED FROM YOUR VZ 200 AND THEN ITS METAL RF SHIELD AS WELL. NEXT UNSOLDER OR CUT RIBBON CABLE SUPPORTING 6K RAM BOARD AND REMOVE REMAINS OF RIBBON CABLE FROM BOTH PCB'S.

IF YOU CAN GET A M/I SOCKET STRIP THEN BREAK IT IN TWO 15 PIN LENGTHS AND SOLDER TO MAIN PCB WHERE 6K RAM BOARD WAS MOUNTED VIA ITS RIBBON CABLE OR IF YOU CAN'T GET STRIP THEN CUT DOWN TO 30 PINS A 40 PIN M/I SOCKET AND SOLDER IT IN.

FIND U1 (74LS138) ON 6K RAM BOARD AND REMOVE LEFT LINK WIRE BELOW IT. CUT PINS 1, 2, 3 AND 5 ON U1 CLOSE TO PCB AND REMOVE STUBS FROM PCB AND THEN BEND CUT PINS UP AND OVER U1 AS SHOWN ON DIAGRAM. USING A SHORT LENGTH OF BARE WIRE SOLDER ALL BENT PINS TOGETHER AND OTHER END TO GROUND LINK WIRE JUST ABOVE U1.

UNSOLDER THE TWO CERAMIC CAPACITORS ABOVE U2 & U3 AND SOLDER TO REVERSE SIDE USING SAME HOLES. SOLDER TWO 4K7 RESISTORS TO BOTTOM OF PCB AS SHOWN ON BOTTOM LEFT DIAGRAM AND CUT TRACK AT SPOT SHOWN WITH AN X.

NEXT PROCEED TO REMOVE U3 (MIDDLE 2K RAM) EITHER BY UNSOLDERING IT OR CUTTING ITS PINS CLOSE TO PCB ON ONE SIDE AND LEVERING BACK AND FORTH TILL PINS BREAK ON OTHER SIDE. DON'T FORGET TO REMOVE PIN STUBS FROM BOARD AFTER. SOLDER A 24 PIN MACHINE INSERT SOCKET IN U3'S PLACE. SOLDER OR INSERT TWO SHORT LENGTHS OF WIRE IN 24 PIN SOCKET WHERE A11 & A13 ARE MARKED WITH AN ASTERICK.

USING SMALL PLIERS BEND UP PINS 1, 2, 23, 26, 27 & 28 ON 32K RAM CHIP JUST A LITTLE OVER 90 DEGREES BEING CAREFUL NOT TO TOUCH PINS AS STATIC FROM YOUR BODY COULD ZAP 32K RAM CHIP. INSERT 32K RAM CHIP NEXT. SOLDER WIRE FROM UNDER A13 TO PIN 28 AND WIRE FROM UNDER A11 TO PIN 27.

NOTE - 32K RAM COULD BE SOLDERED DIRECT TO BOARD IF DESIRED.

NEXT SOLDER FOUR LENGTHS OF WIRE TO HOLES BELOW U1 AT PINS 1, 2, 3 & 5 WHICH PROVIDE A11, A12, A13 & A14 AND SOLDER OTHER ENDS TO CORRESPONDING ADDRESS PINS ON 32K RAM.

USING TWO 15 PIN LENGTHS OF DOUBLE SIDED PIN ADAPTER STRIPS PUSH THE THIN PINS INTO 30 PIN SOCKET ON MAIN PCB AND LOWER 6K RAM BOARD OVER AND SOLDER PROTRUDING PINS. UNPLUG RAM BOARD AND CONNECT SWITCH TO REVERSE SIDE OF BOARD AS SHOWN ON BOTTOM LEFT DIAGRAM.

NEXT CONNECT ONE END OF WIRE FROM REMAINING SWITCH TO TOP OF BOARD BOTTOM HOLE WHERE THE LINK WIRE USED TO BE. LOCATE 74LS139 ON MAIN PCB USING BOTTOM RIGHT DIAGRAM AS A GUIDE AND SOLDER OTHER END OF WIRE TO PIN 12 OF 74LS139 OR A SINGLE BROKEN OF SOCKET COULD BE SOLDERED TO PIN 12 OF 74LS139 AND ANOTHER TO WIRE END MAKING BOARD COMPLETELY REMOVEABLE. AFTER TESTING MOUNT THE SWITCHES ANYWHERE CONVENIENT.

THAT COMPLETES THE MODS AND TESTING CAN BEGIN. CONNECT YOUR VZ 200 AS NORMAL, BUT WITHOUT DISK DRIVE AND POWER UP AND IF THE READY MESSAGE APPEARS THEN TYPE IN THE FOLLOWING :-

PRINT PEEK(30897)+256*PEEK(30898) AND PRESS RETURN

65535 SHOULD BE DISPLAYED INFORMING YOU NOW HAVE 34K USER RAM. ONE MORE TEST REMAINS AND THAT IS TO CHECK OUT 2K RAM AT 6000H (24576) AND BOTH SWITCHES MUST BE IN CLOSED POSITION FOR TEST. TYPE IN FOLLOWING AND PRESS RETURN.

POKE 24576,0:PRINT PEEK(24576)

IF '0' IS DISPLAYED THEN ALL OK AND VZ 200 CAN BE PUT BACK TOGETHER AGAIN AND NO LONGER WILL YOU HAVE TO PLUG RAM PACKS IN WITH ASSOCIATED PROBLEMS.

NOTE - WORDPRO CARTRIDGE WILL NOT WORK WITH THIS MOD AS IT REQUIRES NO RAM AT 6000H AND FROM D000H-FFFFH. INTERESTED PERSONS CAN CONTACT ME FOR MORE INFORMATION.

8K OR 32K RAM AT 6000H (4 X 2K OR 16 X 2K BANKS) :-

BY THE ADDITION OF TWO EXTRA CHIPS AND AN 8K OR 32K RAM CHIP THEY CAN BE EASILY INCORPORATED. PLEASE LET ME KNOW YOUR INTEREST AND I'LL PREPARE ARTICLE FOR BOTH ABOVE.

```

10 REM - SUITE 2 *****
15 :
20 REM - INITIALISER *****
25 A=(PEEK(30897)+PEEK(30898)*256)-450::B%=A/256:C%=A-B%*256
30 POKE 30897,C%:POKE30898,B%:CLEAR50
35 :
40 CLS:PRINT@485;"PLEASE WAIT 17 SECONDS";
45 :
50 A=PEEK(30897)+PEEK(30898)*256:E=65536:B%=31273
55 FORR=1TO73:READC%:B=B+C%:POKEB%,C%:B%=B%+1:NEXT
60 D=A+1-E:FORR=74TO521:READC%:B=B+C%:POKE D,C%:D=D+1:NEXT
65 :
70 IF B<>45643THEN PRINT"ERROR IN DATA":SOUND30,2:END
95 :
100 D=A+21:B%=D/256:C%=D-B%*256:POKEA+43-E,C%:POKEA+44-E,B%
105 D=A+29:B%=D/256:C%=D-B%*256:POKEA+49-E,C%:POKEA+50-E,B%
110 D=A+268:B%=D/256:C%=D-B%*256:POKEA+202-E,C%:POKEA+203-E,B%
115 D=A+1:B%=D/256:C%=D-B%*256:POKE30846,C%:POKE30847,B%
120 D=A+317:B%=D/256:C%=D-B%*256:POKEA+228-E,C%:POKEA+229-E,B%
125 D=A+327:B%=D/256:C%=D-B%*256:POKE31125,C%:POKE31126,B%
130 D=A+420:B%=D/256:C%=D-B%*256:POKEA+371-E,C%:POKEA+372-E,B%
135 POKEA+377-E,C%:POKEA+378-E,B%
140 POKEA+383-E,C%:POKEA+384-E,B%
145 D=A+440:B%=D/256:C%=D-B%*256:POKEA+365-E,C%:POKEA+366-E,B%
150 POKEA+389-E,C%:POKEA+390-E,B%
155 D=A+438:B%=D/256:C%=D-B%*256:POKEA+399-E,C%:POKEA+400-E,B%
160 POKE30845,195:POKE31107,41:POKE31108,122:POKE31104,72
165 POKE31105,122
170 SOUND20,5
195 :
200 REM"PUTGET*3 73 BYTES *****
205 DATA17,0,114
210 DATA183,40,19,254,58,40,15,35,254,49,17,0,116,40,7,254,50
215 DATA17,0,118,32,46,229,33,0,112,24,31,229,33,0,114,17,0,112
220 DATA183,40,21,254,58,40,17,225,35,229,254,49,33,0,116,40
225 DATA7,254,50,33,0,118,32,7,1,0,2,237,176,225,201,225,195
230 DATA151,25
235 :
240 REM"INTERRUPT 20 BYTES *****
245 DATA58,251,104,254,115,40,70,254,121,40,30,254,91,40,93,254
250 DATA122,24,125,0
255 :
260 REM"FILE NAME DATA 21 BYTES *****
265 DATA34,83,67,82,69,69
270 DATA78,48,48,34,44,55,48,48,48,44,55,55,70,70,0
275 :
280 REM"IBS 30 BYTES *****
285 DATA33,0,0,205,57,72,33,0,0,126,254,57,48,3,60,119,201,62
290 DATA48,119,43,126,254,57,56,244,62,48,119,201
295 DATA0,0,0,0,0,0
305 :
310 REM"CCS 31 BYTES *****
315 DATA42,32,120,1,0,114,58,24,120,254,0,62,32,32,2,62,96,119
320 DATA50,60,120,35,121,189,32,236,120,188,32,232,201
325 :
330 REM"LDIR:LSTATUS 24 BYTES *****
335 DATA205,196,5,203,71,32,7,62,1,50,156,120,24,15
340 DATA33,230,0,1,75,0,205,92,52,201
345 :
350 REM"DIR:STATUS 12 BYTES *****
355 DATA62,0,50,156,120,205,6,73,205,205,82,201

```

```

365 :
370 REM "END INTERRUPT 13 BYTES *****
375 DATA 40,242,254,123,192,58,253,104,254,123,40,1,201
395 :
400 REM "DOSWORDS 169 BYTES *****
405 DATA 33,3,1,1,75,0,205,92,52,62,13,205,58,3,62,62,205,58,3
410 DATA 62,8,205,58,3,205,244,46,254,90,40,44,254,58,48,245,254
415 DATA 49,56,241,214,48,245,71,33,229,101,126,254,0,35,32,250
420 DATA 16,248,205,80,52,62,8,205,58,3,205,167,40,241,254,9,200
425 DATA 33,223,103,24,13,0,62,13,205,58,3,62,13,205,58,3,201
430 DATA 121,205,167,40,62,34,205,58,3,6,10,62,8,205,58,3,16,251
435 DATA 62,34,205,58,3,201,0,66,83,65,86,69,0,66,76,79,65,68
440 DATA 0,66,82,85,78,0,83,65,86,69,0,76,79,65,68,0,82,85,78
445 DATA 0,69,82,65,0,68,67,79,80,89,0,83,84,65,84,85,83,0,32
450 DATA 32,32,32,32,32,32,32,32,0
455 :
460 REM "VART 34 BYTES *****
465 DATA 35,126,254,54,40,28,254,55,40,21,254,56,40,17,0
470 DATA 33,2,114,58,165,120,254,114,32,3,33,233,122,34,164
475 DATA 120,195,25,26
495 :
500 REM "ERT 88 BYTES *****
505 DATA 42,164,120,205,1,1,42,249,120,205,1,1,42,251
510 DATA 120,205,1,1,42,253,120,205,1,1,42,177,120,205,1,1
515 DATA 42,232,120,237,91,253,120,205,1,1,195,25,26,71,82
520 DATA 46,32,77,79,68,69,32,50,13,0,0,0,0,0,34,27,120,205,175
525 DATA 15,62,32,205,42,3,237,91,164,120,42,27,120,237,82,205
530 DATA 175,15,62,13,205,42,3,201
    
```

SUITE II COMMENTS & INSTRUCTIONS :-

THREE ADDITIONS, DOSWORDS, VART AND ERT, TO THE SUITE OF ROUTINES (SUITE ISSUE 20 OF JOURNAL), MAINLY FOR THOSE OF YOU WHO HAVE DISK DRIVES.

DOSWORDS IS A ROUTINE TO DISPLAY ANY ONE OF NINE VZ DISK WORDS ALONG WITH QUOTES ENCLOSING EIGHT BLANKS FOR TYPING IN A FILE NAME. DOSWORDS IS A SUBROUTINE OF THE INTERRUPT SERVICE ROUTINE OF SUITE2, THAT SAVES YOU THE TROUBLE OF HAVING TO TYPE IN DISK WORDS CHARACTER BY CHARACTER AND THEN HAVING TO USE <SHIFT> <2> TO ENTER OPENING QUOTES FOR THE FILE NAME THEN <SHIFT> <2> AGAIN FOR CLOSING QUOTES.

THE INTERRUPT SERVICE KEYS ASSIGNED TO DOSWORDS ARE :-

<SHIFT> <CTRL>:

HOLD DOWN <SHIFT> AND PRESS <CTRL>, OR SIMPLY PRESS BOTH KEYS TOGETHER WITH THE THUMB.

THE CURSOR WILL MOVE TO START OF A NEW SCREEN LINE AND A > PROMPT WILL APPEAR UNDER THE CURSOR.

YOU CAN NOW PRESS <Z> TO QUIT DOSWORDS IF YOU CHANGE YOUR MIND, OR PRESS A NUMBER KEY <1> TO <9> TO DISPLAY A CORRESPONDING DISK WORD, ALONG WITH OPENING AND CLOSING QUOTES WHERE THESE ARE REQUIRED, AND SUFFICIENT SPACE BETWEEN THE QUOTES TO TYPE IN A FILE NAME. THE CURSOR IS POSITIONED IMMEDIATELY TO THE RIGHT OF THE OPENING QUOTES.

IF THE FILE NAME YOU TYPE IN IS LESS THAN EIGHT CHARACTERS LONG, IT IS NOT NECESSARY TO RUBOUT THE TRAILING SPACES.

- <1> WILL DISPLAY BSAVE" "
- <2> BLOAD" "
- <3> BRUN" "
- <4> SAVE" "
- <5> LOAD" "
- <6> RUN" "
- <7> ERA" "
- <8> DCOPY" "
- <9> STATUS

THE 2'ND ADDITION TO SUITE IS VART, A SHORT ROUTINE THAT SWITCHES THE START OF BASIC PROGRAM POINTER BETWEEN 31465 AND 29186.

THE SWITCH IS COMMANDED WITH PRINT&.

THE USUAL START ADDRESS OF A BASIC PROGRAM IS 31465, SO A FIRST USE OF PRINT& WILL SWITCH THE POINTER TO 29186, AND A SECOND USE OF PRINT& WILL RESTORE THE POINTER TO 31465.

ADDRESS 29186 IS LOCATED NEAR THE START (29184) OF THE SECOND QUARTER OF VIDEO MEMORY. THE TEXT MODE SCREEN ONLY USES THE FIRST QUARTER OF VIDEO MEMORY (28672 TO 29183), LEAVING FREE THE REMAINING THREE QUARTERS OF VIDEO RAM--1536 CELLS FROM 29184 TO 30719. THIS OTHERWISE WASTED VIDEO MEMORY CAN BE USED TO STORE A BASIC PROGRAM INDEPENDENT OF ANY BASIC PROGRAM IN PROGRAM MEMORY FROM 31465 ONWARD. SO TWO BASIC PROGRAMS CAN RESIDE IN YOUR VZ AT THE SAME TIME AND YOU CAN SWITCH BETWEEN THE TWO WITH THE PRINT& COMMAND OF SUITE2.

PROGRAMS IN VIDEO MEMORY (VPROGS) CAN BE UP TO 1534 BYTES LONG (29186 TO 30719). BECAUSE PRINT& ONLY SWITCHES THE START ADDRESS OF BASIC PROGRAM, THE END OF BASIC PROGRAM REMAINS IN PROGRAM MEMORY AT THE END OF WHATEVER BASIC PROGRAM IS CURRENTLY RESIDENT IN PROGRAM MEMORY.

THIS MEANS THAT WHEN A VPROG IS RUN, ANY VARIABLES USED BY THE PROGRAM ARE SET UP IN VARIABLE LIST TABLES IN PROGRAM MEMORY RATHER THAN AT THE END OF THE VPROG AND SO DO NOT USE UP ANY VIDEO MEMORY OR RISK OVERWRITING AND SO CORRUPTING THE COMMUNICATIONS REGION WHICH COMMENCES AT THE END OF VIDEO MEMORY (30720 TO 31464).

VPROGS ARE BSAVED TO DISK AS BINARY FILES. BINARY FILE FORMAT IS USED SO THAT YOU CAN LOAD VPROGS USING THE BLOAD COMMAND. BLOAD DOES NOT ALTER START AND END OF PROGRAM POINTERS. SO YOU CAN LOAD A MAIN BASIC PROGRAM INTO PROGRAM MEMORY FROM 31465 ONWARD, WITH POINTERS POINTING TO THIS PROGRAM THEN, WHENEVER YOU WISH, BLOAD A VPROG INTO VIDEO MEMORY WITHOUT SWITCHING THE POINTERS FROM THE MAIN PROGRAM.

WHEN YOU ARE READY TO RUN THE VPROG YOU NEED ONLY TYPE IN PRINT& AND PRESS <RETURN> TO SWITCH THE START POINTER TO THE VPROG, THEN ENTER RUN AND PRESS <RETURN>.

WHEN YOU HAVE FINISHED USING THE VPROG, THE PRINT& COMMAND WILL RETURN YOU TO THE MAIN PROGRAM.

FOR SALE E&F W.P.PATCH 3.3 26/17

PATCH 3.3 WRITTEN BY DAVE MITCHELL WILL CONVERT YOUR E & F TAPE WORD PROCESSOR FOR FULL DISK USE WHILE RETAINING ALL ORIGINAL FUNCTIONS. BELOW ARE ADDED DISK COMMANDS & FUNCTIONS :-

LOAD, SAVE, ERASE, RENAME, DIRECTORY, INITIALIZE, UPDATE, DRIVE 1 & 2, SHIFTLOCK & IMBEDDED PRINTER CONTROL CODES PLUS CTRL+P WHICH BYPASSES PRINT MENU AND PRINTS TO SCREEN OR PRINTER. A ROUTINE IS ALSO PROVIDED TO CONVERT YOUR BASIC PROGRAM OR SOURCE CODE FILES INTO WORD PROCESSOR FILES.

PATCH 3.3 HAS PROVISION FOR IMBEDDING PRINTER CONTROL CODES IN TEXT AND FAST SAVING AND LOADING OF TEXT DATA TO AND FROM DISK USING BLOCK SAVE/LOAD TECHNIQUES. PRINTER CONTROL CODES CAN BE SAVED TO TAPE OR DISK.

BSTWP.F - THIS UTILITY PROVIDED WITH PATCH 3.3 WILL CONVERT BASIC PROGRAMS AND Ed/Ass. SOURCE CODE FILES INTO WORD PROCESSOR FILES.

SYSTEM REQUIREMENTS - VZ 300 + 16K RAM PACK - VZ 200 + 26K

PATCH 3.3 IS COPYRIGHT TO AND ONLY AVAILABLE FROM :-
HUNTER VALLEY VZ USERS' GROUP P.O.BOX 161 JESMOND 2299
N.S.W. AUSTRALIA - PHONE JOE LEON (049) 51 2756

PRICE - AUS/NZ AU\$20.00 - UPDATE - AUS-\$10.00 - NZ-AU\$11.00.
UPDATING AVAILABLE ONLY TO PREVIOUS PURCHASERS OF PATCHES.

FOR MORE INFORMATION WRITE TO H.V.VZ.U.G. ENCLOSING A SSAE.

EXTENDED DOS V1.3 - \$15.00

UPDATED VERSION WITH EXTRA COMMANDS ADDED :-

OLD COMMANDS - MERGE, DIRA, LDIRA, DIRB, LDIRB, OLD, OLD., DEC, HEX, STATUSA AND LSTATUSA. STATUSA AND LSTATUSA ALSO WORKS WITH VERSION 1.0 DOS.

NEW COMMANDS :-

MENU - LOADS AND RUNS BINARY OR TEXT MENU PROGRAM FROM DISK.
CODE - SIMPLIFIES USING PRINTER CONTROL CODES DIRECTLY OR FROM WITHIN A PROGRAM.
LTAB - IS FOR SETTING OF LEFT MARGIN.
MOVE - MOVES BASIC FILE FROM DISK TO CHOSEN MEMORY ADDRESS.
UPD - ERASES OLD FILE AND SAVES WITH SAME FILE NAME.

MENU/FILE COPIER - \$15.00

THIS UTILITY WILL READ YOUR DISK DIRECTORY AND PRESENT YOU WITH SEVERAL OPTIONS. USING THE CURSOR YOU CAN RUN/BRUN ANY PROGRAM OR SELECT FILE COPY, REN, ERASE, DRIVE 1 OR 2, ETC. BESIDES COPYING TEXT AND BINARY FILES ALL OTHER FILES CAN BE COPIED AS WELL EXCEPT FOR DATA FILES.

FOR PURCHASE OR INFORMATION CONTACT DAVE MITCHELL - (079) 27 8519
24 ELPHINSTONE ST. NORTH ROCKHAMPTON QUEENSLAND 4701

FOR INFORMATION OR DEMONSTRATION IN NEWCASTLE AREA CONTACT :-
JOE LEON - (049) 51 2756 - 22 DRURY ST. WALLSEND NSW 2287

VZ USER GROUPS/PUBLICATIONS-26/18

CONTRIBUTIONS TO THE HUNTER VALLEY VZ JOURNAL :-

IF YOU ARE THINKING OF CONTRIBUTING TO THE JOURNAL THE PREFERRED FORMAT IS BASIC LISTINGS, WORD PROCESSOR OR SOURCE CODE FILES ON TAPE OR DISK. FILES FROM THE FOLLOWING WORD PROCESSORS CAN BE ACCEPTED :-

E & F TAPE OR DISK PATCH 3.1-3.3, WORDPRO CARTRIDGE, WORDPRO PATCH AND ALL QUICKWRITE WORD PROCESSOR FILES.

WANTED TO BUY -----

64K RAM PACKS & VZ200 6K RAM BOARDS - CONTACT JOE LEON
22 DRURY STREET WALLSEND NSW 2287 --- PHONE (049) 51 2756

CLUB MEETINGS -- ALL WELCOME --

FIRST FRIDAY OF MONTH - NO MEETING IN JANUARY 1990

VENUE - JESMOND NEIGHBOURHOOD CENTRE MORDUE PARADE JESMOND
(REAR STOCKLAND MALL - BIG W)

OCTOBER 6 - SPEECH SYNTHESISER
NOVEMBER 3 - EPROM PROGRAMMER & ERASER
DECEMBER 1 - CHRISTMAS MEETING - BRING FAMILY, FRIENDS & PLATE
DECEMBER 10 - FAMILY PICNIC AT SPEERS POINT PARK - BYO FOOD/GEAR

FUTURE DEMONSTRATIONS - AUCTION NIGHT - USING THE VZ, RITTY, ETC.
IF YOU HAVE ANY IDEAS FOR A DEMONSTRATION OR A SUBJECT THEN PLEASE LET YOUR COMMITTEE KNOW.

CLUB COMMITTEE & SUBSCRIPTIONS -

PRESIDENT ----- ROSS WOODS --- (049) 71 2843
SECRETARY/EDITOR -- JOE LEON ----- (049) 51 2756
TREASURER ----- GARY BULLEY -- (049) 54 7561
COMMITTEE MEMBERS - COLIN BRIDGE - ANDREW IRVINE - PETER JONES

SUBSCRIPTION TO - Aust. - 6 MONTHS \$11.00 - 12 MONTHS \$21.00
H.V.VZ.JOURNAL - N. Z. - 6 MONTHS \$13.00 - 12 MONTHS \$26.00

HUNTER VALLEY VZ USERS' GROUP - P.O. BOX 161 JESMOND 2299
NEW SOUTH WALES AUSTRALIA

VZ USER GROUPS & PUBLICATIONS --

J.C.E. D'ALTON 39 AGNES ST. TOOWONG QUEENSLAND 4066
LE'VZ OOP (VZ MAGAZINE) - VSOFTWAREZ/SOFTWARE/HARDWARE FOR SALE

VZ DOWN UNDER - VZ MAGAZINE - 6 ISSUES - \$18.00 PER YEAR
HARRY HUGGINS 12 THOMAS ST. MITCHAM 3132 VICTORIA

WAVZ - WESTERN AUSTRALIA VZ USER GROUP
GRAEME BYWATER P.O. BOX 388, MORLEY W.A. 6062

BRISBANE VZ USERS WORKSHOP - C/O 63 TINGALPA ST. WYNUM WEST 4178
SOFTWARE FOR SALE - DISK MENU

NOTE :- WHEN WRITING TO ANY ABOVE OR H.V.VZ. USERS' GROUP FOR INFORMATION PLEASE ENCLOSE A S.S.A.E. OR NZ 2 INT. REPLY COUPONS.

IPL SEQUENCE DECODED BY R. QUINN

FORMAT OF DISASSEMBLY -

EACH MACHINE CODE INSTRUCTION IS DISASSEMBLED AND PRINTED OUT ON TWO OR MORE LINES. THE FIRST LINE DISPLAYS THE START ADDRESS OF THE INSTRUCTION IN DECIMAL THEN HEX THEN, ON THE SAME LINE, THE CONTENT BYTE OF THAT ADDRESS IN HEX THEN DECIMAL.

THE OPCODE AND OPERAND THAT ARE THE ASSEMBLER LANGUAGE INTERPRETATION OF THE INSTRUCTION WILL APPEAR ON THE NEXT LINE. DIGITS OR LETTER CHARACTERS A TO F THAT APPEAR IN THE OPERAND PRECEDED BY A HASH SIGN (#) ARE HEX NUMBERS.

LETTER CHARACTERS IN THE OPERAND THAT ARE NOT PRECEDED BY A HASH SIGN ARE REGISTERS OR, IN THE CASE OF JUMP INSTRUCTIONS, FLAG CONDITIONS.

NUMBERS IN THE OPERAND THAT ARE PRECEDED BY A DOLLAR SIGN (\$) ARE DECIMAL NUMBERS.

THE BYTE OR BYTES OF THE OPERAND, IF SUCH THERE BE, WILL DISPLAY ON SUCCESSIVE LINES WITH THEIR DECIMAL ADDRESSES. COMPLETION OF THE DISASSEMBLY OF AN INSTRUCTION IS MARKED BY A LINE OF DASHES.

USING INFO FROM IPL SEQUENCE -

ON PAGE 26/21 ON IPL SEQUENCE DECODING IN THIS ISSUE YOU'LL NOTE ADDRESSES 181 TO 189 INCLUSIVE HAVE 9 NOP INSTRUCTIONS WHICH CAN BE UTILISED. WITH ROBERT'S HELP I'VE PLACED FOUR BYTES THERE WHICH PERFORM AN OUT 32,8 FUNCTION UPON POWER UP OR RESET. AS ONLY FOUR BYTES WERE USED THAT MEANS THERE ARE FIVE BYTES LEFT THAT COULD BE USED TO ADD OTHER FUNCTIONS.

DECIMAL ADDRESS	OLD BYTE	NEW BYTE	
181	0	62	; LD A
182	0	8	; 8
183	0	211	; OUT
184	0	32	; (32),A
185	0	0	
186	0	0	
187	0	0	
188	0	0	
189	0	0	

A VZ MODIFIED FOR SUPER HI-RES GRAPHICS POWERS UP OR RESETS IN GRAPHICS MODE(0) WITH ONLY 1K (1024) BYTES VIDEO MEMORY AVAILABLE. THE USER HAS TO DO AN OUT 32.8 FUNCTION TO PUT THE VZ INTO GRAPHICS MODE(2) WHICH IS THE STANDARD MODE GIVING 2K (2048) BYTES FOR HI-RES GRAPHICS. SO HAVING THE VZ DO AN OUT 32,8 AUTOMATICALLY FOR USER IS A BIG ADVANTAGE.

NOTE - AS THE ADDRESSES 181 TO 189 ARE IN ROM POKEING WILL NOT CHANGE ANY BYTE AND ONLY THOSE PERSONS WITH AN EPROM PROGRAMMER OR BATTERY BACKED RAM WILL BE ABLE TO MODIFY THEIR ROMS.

IPL SEQUENCE DECODING CONTINUED . . 26/20

THE INITIAL PROGRAM LOADER (IPL) SEQUENCE EXECUTES WHEN VZ IS SWITCHED ON

0	00	F3	243	INTERRUPTS DISABLED	1672	688	13	19	IN COMMUNICATIONS REGION
DI					INC		DE		
1	01	AF	175	ZERO THE ACCUMULATOR	1673	689	10	16	JUMP TO 1671
XOR		A			DJNZ		\$ -4		
2	02	32	50	RAM LOCATION	1674		FC	252	ZERO #7836 TO #785C
LD		(#6800),A							
3		00	0	#6800 = 26624:	1675	68B	C3	195	SEE COM.REGION SUPPLEMENT
4		68	104	IS ZEROED	JP		#0075		
5	05	C3	195	#0674 = 1652:	1676		75	117	#0075 = 117: JUMP AND
JP		#0674			1677		00	0	CONTINUE IPL SEQUENCE
6		74	116	JUMP TO CONTINUE THE	117	75	11	17	#7880 = 30848: START LOC.
7		06	6	IPL SEQUENCE	LD		DE,#7880		
1652	674	00	0		118		80	128	IN COMMUNICATIONS REGION
NOP					119		78	120	FOR ANOTHER COPY
1653	675	00	0		120	78	21	33	FROM ROM, BEGINNING AT
NOP					LD		HL,#18F7		
1654	676	21	33	SETTING UP FOR A COPY	121		F7	247	#18F7 = 6391
LD		HL,#06D2			122		18	24	
1655		D2	210	FROM ROM STARTING AT	123	78	01	1	OF 39 BYTES: WILL COPY
1656		06	6	#06D2 = 1746,	LD		BC,#0027		
1657	679	11	17	TO RAM	124		27	39	INITIALISATION DATA IN
LD		DE,#7800			125		00	0	ROM #18F7 TO #191D
1658		00	0	#7800 = 30720: IS START	126	7E	ED	237	TO COMMUNICATIONS REGION:
1659		78	120	OF COMMUNICATIONS REGION	LDIR		B0	176	#7800 TO #78A6
1660	67C	01	1	OF 54 BYTES	128	80	21	33	CONTINUE INITIALISATION
LD		BC,#0036			LD		HL,#79E5		
1661		36	54	#6D2 TO #707 WILL COPY	129		E5	229	OF COMMUNICATIONS REGION
1662		00	0	INTO #7800 TO 7835	130		79	121	#79E5 = 31205
1663	67F	ED	237	SEE COMMUNICATIONS REGION	131	83	36	54	PUT ASCII CODE FOR COLON
LDIR					LD		(HL),#3A		
1664		B0	176	SUPPLEMENT IN ISSUE 20	132		3A	58	IN LOCATION 31205
1665	681	3D	61	A = 255 WHEN DECREMENTED	133	85	23	35	HL = 31206
DEC		A			INC		HL		
1666	682	3D	61	FROM ZERO:DECREMENT TWICE	134	86	70	112	PUT ZERO IN 31206
DEC		A			LD		(HL),B		
1667	683	20	32	JUMP TO 1654 AND REPEAT	135	87	23	35	
JR		NZ,\$ -15			INC		HL		
1668		F1	241	COPY IF REGISTER A NOT 0	136	88	36	54	PUT ASCII CODE FOR COMMA
1669	685	06	6	COPY REPEATED 128 TIMES!	LD		(HL),#2C		
LD		B,#27			137		2C	44	IN LOCATION 31207
1670		27	39	39 LOCATIONS FROM #7836	138	8A	23	35	HL = 31208
1671	687	12	18	WILL BE ZEROED	INC		HL		
LD		(DE),A							

IPL SEQUENCE DECODING CONTINUED . . 26/21

139	8B	22	34	#78A7 = 30887: KEYBOARD	165	A5	23	35	DOS EXIT RETURNS BEGIN AT
LD		(#78A7),HL			INC		HL		
140		A7	167	BUFFER POINTER SET TO	-----				
141		78	120	START OF INPUT BUFFER	166	A6	10	16	31148
-----					DJNZ		\$ -7		
142	8E	11	17	#012D = 301: IS ADDRESS	167		F9	249	JUMP TO 161: LOOP 21 TIMES
LD		DE,#012D			=====				
143		2D	45	FIELD FOR JP #12D	168	A8	21	33	#7AE8 = 31464: IS LAST
144		01	1	28 JUMPS WILL BE SET UP	LD		HL,#7AE8		
-----					169		EB	232	LOCATION IN COM. REGION
145	91	06	6	IN COMMUNICATIONS REGION	170		7A	122	ZERO THIS LOCATION
LD		B,#1C			-----				
146		1C	28	FROM 31058 TO 31141: JUMPS	171	AB	70	112	BECAUSE BASIC PROGRAMS
-----					LD		(HL),B		
147	93	21	33	TO ERROR MESSAGE IF TRS80	172	AC	31	49	REQUIRE 0 START TO RUN
LD		HL,#7952			LD		SP,#79F8		
148		52	82	DISK COMMAND TOKENS USED	173		F8	248	#79F8 = 31224: IS
149		79	121	#7952 = 31058: IS START	174		79	121	TEMPORARY START OF STACK

150	96	36	54	OF DISK BASIC EXITS IN	175	AF	CD	205	DURING IPL SEQUENCE
LD		(HL),#C3			CALL		#1B8F		
151		C3	195	THE COMMUNICATIONS REGION	176		8F	143	#1B8F = 7055: INITIALISE
152	98	23	35	#C3 = 195 IS MACHINE CODE	177		1B	27	BASIC POINTERS/VARIABLES
INC		HL			=====				
-----					178	B2	CD	205	
153	99	73	115	FOR UNCONDITIONAL JUMP	CALL		#01C9		
LD		(HL),E			179		C9	201	#01C9 = 457: TO CLEAR
-----					180		01	1	THE SCREEN
154	9A	23	35		=====				
INC		HL			181	B5	00	0	THESE NOP INSTRUCTIONS
-----					NOP				
155	9B	72	114		-----				
LD		(HL),D			182	B6	00	0	WERE THE LOCATION OF A
-----					NOP				
156	9C	23	35		-----				
INC		HL			183	B7	00	0	TRS-80 USER INPUT MEMORY
-----					NOP				
157	9D	10	16	JUMP TO 150	-----				
DJNZ		\$ -9			184	B8	00	0	SIZE ROUTINE THAT HAS
158		F7	247	LOOP 28 TIMES	-----				
-----					NOP				
159	9F	06	6	21: LOOP COUNT FOR	185	B9	00	0	BEEN OBLITERATED FROM THE
LD		B,#15			-----				
160		15	21	TRS-80 DOS EXIT RETURNS	NOP				
-----					186	BA	00	0	VZ OPERATING SYSTEM
161	A1	36	54	STARTING AT 31142,	-----				
LD		(HL),#C9			187	BB	00	0	
162		C9	201	INITIALISE 21 RETURNS	-----				
-----					NOP				
163	A3	23	35	THE FIRST TWO RETURNS ARE	-----				
INC		HL			188	BC	00	0	
-----					NOP				
164	A4	23	35	FOR DISK BASIC EXITS	-----				
INC		HL			189	BD	00	0	
-----					NOP				

IPL SEQUENCE DECODING CONTINUED . . 26/22

190	BE	18	24	JUMP TO 196	212	D4	18	24	JUMP TO 231 BECAUSE
JR		\$ +4			JR		\$ +17		
191		04	4		213		11	17	CURRENT TEST LOC. ABSENT
=====									
192	C0	D7	215	NOT PART OF VZ IPL	231	E7	2B	43	WE HAVE TOP OF RAM
RST		#10			DEC		HL		
=====									
193	C1	B7	183	NOT PART OF VZ IPL	232	E8	11	17	#7C14 = 31764: USE THIS
OR		A			LD		DE, #7C14		
=====									
194	C2	20	32		233		14	20	AS MINIMUM REQUIRED RAM
JR		NZ, \$ +18			234		7C	124	AND GO TEST THAT MINIMUM
195		12	18	NOT PART OF VZ IPL					
=====									
196	C4	21	33	#7B4C = 31564: SETTING UP	235	EB	DF	223	RAM NOT LESS THAN 31764
LD		HL, #7B4C			RST		#18		
197		4C	76	FOR A ROUTINE TO	236	EC	DA	218	#197A = 6522: JUMP TO
198		7B	123	DETERMINE MEMORY SIZE	JP		C, #197A		
=====									
199	C7	23	35	STARTING AT 31565 IN RAM	237		7A	122	INSUFFICIENT MEMORY ROUT-
INC		HL			238		19	25	INE IF MINIMUM RAM LESS
=====									
200	C8	7C	124	AND WORKING TOWARD 65535	239	EF	11	17	ELSE CONTINUE IPL
LD		A, H			LD		DE, #FFCE		
=====									
201	C9	B5	181	(MAXIMUM ADDRESSABLE	240		CE	206	#FFCE = 65486:-
OR		L			241		FF	255	DEFAULT SIZE (50) FOR
=====									
202	CA	28	40	MEMORY FOR VZ), TESTING	242	F2	22	34	STRING SPACE (65536-50)
JR		Z, \$ +27			LD		(#78B1), HL		
203		1B	27	FOR PRESENCE OF RAM	243		B1	177	#78B1 = 30897: SET
=====									
204	CC	7E	126	GET BYTE AT CURRENT LOC.	244		78	120	TOP OF RAM POINTER
LD		A, (HL)			245	F5	19	25	
=====									
205	CD	47	71	BEING TESTED AND SAVE IT	246	F6	22	34	#78A0 = 30880: SET LOWER
LD		B, A			LD		(#78A0), HL		
=====									
206	CE	2F	47	COMPLEMENT IT & WRITE NEW	247		A0	160	BOUNDARY OF STRING SPACE
CPL					248		78	120	IN POINTER 30880/1
=====									
207	CF	77	119	BYTE TO TEST LOCATION	249	F9	CD	205	#1B4D = 6989: GO AND
LD		(HL), A			CALL		#1B4D		
=====									
208	D0	BE	190	CHECK IF WRITE SUCCEEDED	250		4D	77	INITIALISE ALL BASIC
CP		(HL)			251		1B	27	POINTERS AND VARIABLES
=====									
209	D1	70	112	RESTORE ORIGINAL BYTE	252	FC	CD	205	#3484 = 13444:
LD		(HL), B			CALL		#3484		
=====									
210	D2	28	40	IF TEST LOCATION EXISTS,	253		84	132	SEE DISASSEMBLY AT END
JR		Z, \$ -13			254		34	52	OF THIS PRINTOUT
211		F3	243	JUMP TO 199 & TEST NEXT					
=====									
					255	FF	21	33	#010F = 271: IS START OF
					LD		HL, #010F		
					256		0F	15	VIDEED TECHNOLOGY MESSAGE
					257		01	1	
=====									
					258	102	CD	205	#28A7 = 10407: TO MESSAGE
					CALL		#28A7		
					259		A7	167	OUTPUT ROUTINE
					260		28	40	
=====									

IPL SEQUENCE DECODING CONTINUED . . 26/23

261	105	ED	237	
IM		1		
262		56	86	SET INTERRUPT MODE 1 CONDITION--A RST #38 EXECUTES IF AN INTERRUPT OCCURS

263	107	C3	195	
JP		#068E		
264		8E	142	CONTINUE IPL SEQUENCE FROM #68E
265		06	6	

1678	68E	21	33	
LD		HL,#4000		
1679		00	0	#4000 = 16384 IS START OF DOS ROM IF DISK DRIVE INSTALLED
1680		40	64	

1681	691	CD	205	
CALL		#06A4		
1682		A4	164	GO AND CHECK FOR PRESENCE OF DOS BY TESTING IDENTITY OF FIRST FOUR BYTES FROM 16384
1683		06	6	IF TEST REVEALS PRESENCE OF DOS, THE CHECKING SUBROUTINE WILL NOT RETURN INSTEAD, A JUMP TO DOS IPL SEQUENCE WILL BE EXECUTED

1684	694	21	33	
LD		HL,#6000		
1685		00	0	NO DOS, SO RETURN HERE
1686		60	96	#6000 = 24576 IS THE START OF THE 2K LOCATED ABOVE DOS ROM

1687	697	CD	205	
CALL		#06A4		
1688		A4	164	GO AND CHECK FOR PRESENCE OF FOUR IDENTITY BYTES FROM 24576
1689		06	6	IF ALL BYTES FOUND THEN CHECKING ROUTINE WILL NOT RETURN INSTEAD A JUMP TO 24580 WILL BE EXECUTED

1690	69A	21	33	
LD		HL,#8000		
1691		00	0	#8000 = 32768 IS USUALLY AN ADDRESS IN PROGRAM (RAM) MEMORY
1692		00	128	

1693	69D	CD	205	
CALL		#06A4		
1694		A4	164	GO AND CHECK FOR PRESENCE OF FOUR IDENTITY BYTES FROM 32768
1695		06	6	UNLESS ROM OR EPROM HAS BEEN INSTALLED FROM 32768 WITH THE FOUR IDENTITY BYTES, THE TEST WILL FAIL AND CHECKING SUBROUTINE WILL RETURN TO CALLER

1696	6A0	FB	251	
EI				INTERRUPTS WILL BE ENABLED

1697	6A1	C3	195	
JP		#1A19		
1698		19	25	AND THE IPL SEQUENCE WILL END WITH A JUMP TO READY ROUTINE
1699		1A	26	YOUR VZ IS SET UP FOR YOUR USE

CONTINUED NEXT ISSUE